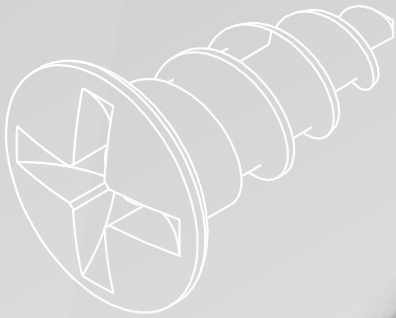


pro-fix™

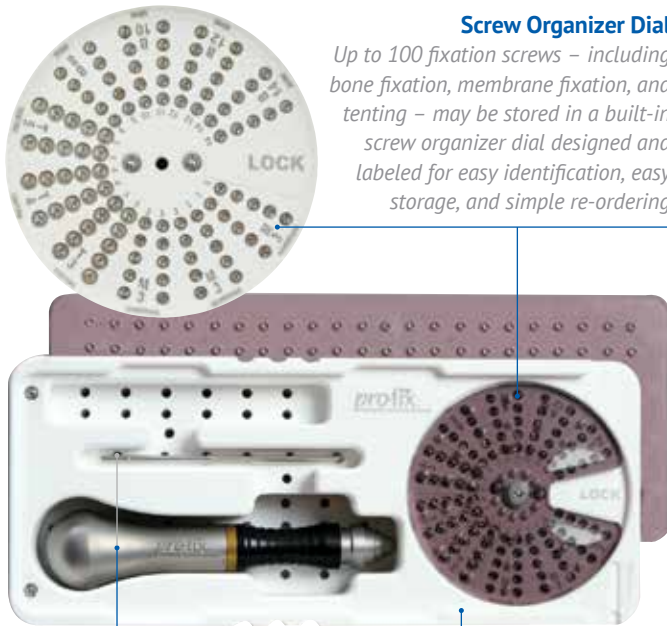
PRECISION FIXATION SYSTEM



The Pro-fix™ Precision Fixation System is manufactured to precise tolerances to ensure easy pick-up of screws, stable transfer to the surgical site, and quick engagement in cortical bone. All kit components are labeled, organized, stored, and sterilized together to simplify things for the surgeon and surgical team.

Screw Organizer Dial

Up to 100 fixation screws – including bone fixation, membrane fixation, and tenting – may be stored in a built-in screw organizer dial designed and labeled for easy identification, easy storage, and simple re-ordering



Driver Handle and Blade

The stainless steel driver handle and cruciform driver blade fit together to make up a drive system that ensures easy pick-up of screws and stable transfer to the surgical site

Tecapro™ Storage Tray

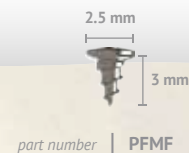
The autoclavable Tecapro™ storage tray is cleverly designed to store not only fixation instruments, but also a variety of membrane fixation, bone fixation, and tenting screws needed in dental bone grafting

Pro-fix™ Self-Drilling Membrane Fixation Screws are designed as an attractive alternative to using tacks for membrane stabilization. Easy pick-up, solid stability of the screw during transfer to the surgical site, and easy placement make membrane fixation fast and easy.

The Pro-Fix™ cruciform driver blade fits securely into the head of the screw and provides excellent screw stability upon placement



The self-drilling design of each screw allows penetration through cortical bone without the use of a mallet or the need for drilling pilot holes



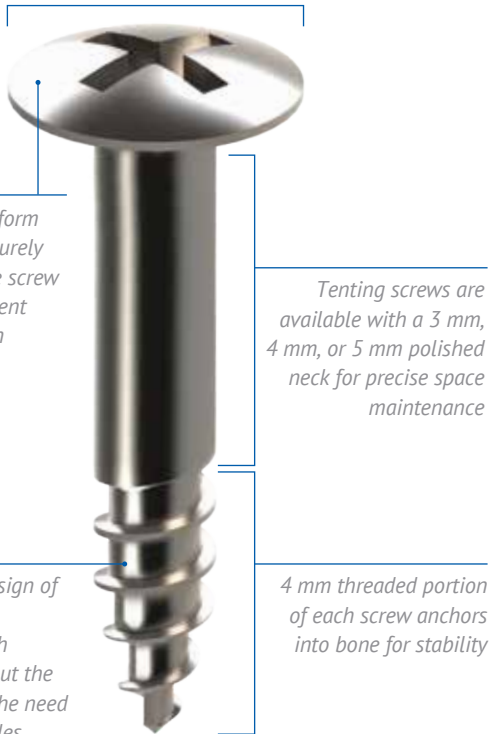
Pro-fix™ Self-Drilling Tenting Screws are designed with a self-drilling tip, polished neck, and broader head to maintain space under resorbable and non-resorbable membranes in horizontal and vertical bone regeneration procedures.

3.5 mm diameter head provides broad surface area to help prevent membrane perforation or tearing

The Pro-Fix™ cruciform driver blade fits securely into the head of the screw and provides excellent screw stability upon placement

Tenting screws are available with a 3 mm, 4 mm, or 5 mm polished neck for precise space maintenance

The self-drilling design of each screw allows penetration through cortical bone without the use of a mallet or the need for drilling pilot holes

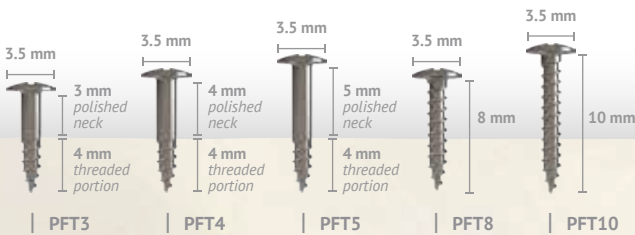
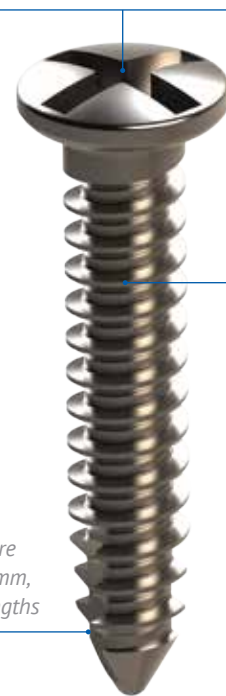


Pro-fix™ Self-Tapping Bone Fixation Screws are designed with finer pitched, self-tapping threads that give the screws greater clamping force while using less driver torque. The screws' threads are equipped with a cutting flute that allows for easier insertion into harder bone. The screws are placed into a 1.2 mm pre-drilled pilot hole.

Head design allows screw to be screwed down flush to bone surface leaving no gap between the screw's head and the bone

Fine pitched threads give screw greater clamping force while using less driver torque

Bone Fixation screws are available in 8 mm, 10 mm, 12 mm, and 14 mm lengths





Membrane Fixation Kit

| PFMK20

- 1 Autoclavable Tecapro™ storage tray w/ screw organizer dial
- 1 Stainless steel driver handle
- 1 56 mm cruciform driver blade
- 1 76 mm cruciform driver blade
- 20 1.5 mm x 3.0 mm self-drilling titanium alloy membrane fixation screws

Tenting Kit

| PFTK12

- 1 Autoclavable Tecapro™ storage tray w/ screw organizer dial
- 1 Stainless steel driver handle
- 1 56 mm cruciform driver blade
- 1 76 mm cruciform driver blade
- 4 1.5 mm x 3.0 mm self-drilling titanium alloy tenting screws
3.0 mm polished neck + 4.0 mm threaded portion = 7 mm total length
- 4 1.5 mm x 4.0 mm self-drilling titanium alloy tenting screws
4.0 mm polished neck + 4.0 mm threaded portion = 8 mm total length
- 4 1.5 mm x 5.0 mm self-drilling titanium alloy tenting screws
5.0 mm polished neck + 4.0 mm threaded portion = 9 mm total length

Bone Fixation Kit

| PFBK12S

- 1 Autoclavable Tecapro™ storage tray w/ screw organizer dial
- 1 Stainless steel driver handle
- 1 56 mm cruciform driver blade
- 1 76 mm cruciform driver blade
- 1 1.2 mm diameter latch type pilot drill
- 2 1.5 mm x 8 mm bone fixation screws
- 4 1.5 mm x 10 mm bone fixation screws
- 4 1.5 mm x 12 mm bone fixation screws
- 2 1.5 mm x 14 mm bone fixation screws

Self-Drilling Membrane Fixation Screws

1.5 x 3.0 mm

| PFMF-5 5 screws

1.5 x 3.0 mm

| PFMF-10 10 screws

1.5 x 3.0 mm

| PFMF-20 20 screws

Individual Components

Blades work universally with all Pro-Fix™ screws.

Stainless steel driver handle

| PFDH

76 mm cruciform driver blade

| PFDB

56 mm cruciform driver blade

| PFDB56

24 mm Contra Angle Blade

(10 mm exposed distal length)

| PFDBCA

1.2 mm diameter latch type pilot drill

| PFPD

Autoclavable Tecapro™ storage tray

| PFT

Self-Drilling Tenting Screws

3.0 mm polished neck + 4.0 mm

threaded portion = 7 mm total length

| PFT3 1 screw

| PFT3-5 5 screws

4.0 mm polished neck + 4.0 mm

threaded portion = 8 mm total length

| PFT4 1 screw

| PFT4-5 5 screws

5.0 mm polished neck + 4.0 mm

threaded portion = 9 mm total length

| PFT5 1 screw

| PFT5-5 5 screws

8.0 mm fully threaded tenting screw

| PFT8 1 screw

10.0 mm fully threaded tenting screw

| PFT10 1 screw

Self-Tapping Bone Fixation Screws

1.5 mm x 8 mm

| PFB8 1 screw

| PFB8-5 5 screws

1.5 mm x 10 mm

| PFB10 1 screw

| PFB10-5 5 screws

1.5 mm x 12 mm

| PFB12 1 screw

| PFB12-5 5 screws

1.5 mm x 14 mm

| PFB14 1 screw

| PFB14-5 5 screws